

BIRMINGHAM

“C” - CLASS KNEE - TYPE MILLS

Superior Taiwan Engineering With Cost Saving Benefits of China Body

SAFETY / RELIABILITY / PERFORMANCE

ISO 9002

Catalog # 20020510

BEST BUY • BEST FEATURES

Models:

BPS-1649-C

BPV-3949-C

BPS-1054-C

BPV-1054-C

BPV-3949F-C

BPV-1054F-C



Standard Features:

- High quality Taiwan-made mill head
- High precision China-made mill body
- Super strong column and base
- Low maintenance machines
- High precision leadscrews
- Satin chrome finished dials
- Built-in coolant column base
- Double knee and table locks
- Ram equipped w/ double locks
- Large diameter quill is chromed
- One-piece quill pinion and shaft
- Spindle head is internally cooled
- Hardened & ground ways and table
- Heavy-duty motor 3 phase or 1 phase
- High precision class 7 spindle bearings
- Three-stage power downfeed w/ auto stop
- One year warranty and 2nd year extended

BPV-1054-C

BIRMINGHAM "C" - CLASS KNEE MILLS

BPS-1649-C
9" X 49" TABLE



BPS-1649-C

- R8 SPINDLE
- 9" x 49" TABLE
- STEP PULLEY, 16 SPEEDS (8 SPEEDS FOR 1Ø)
- HIGH GRADE CAST IRON FRAME
- DOVETAIL GUIDEWAYS
- GROUND TABLE T-SLOTS
- HARDENED & GROUND WAYS
- HARDENED & GROUND TABLE
- BUILT-IN COOLANT BODY
- TILTING & ROTATING HEAD
- CHROMED GROUND QUILL
- HAND & POWER SPINDLE FEEDS
- POWER: 220V OR 440V, 3Ø (220V, 1Ø)

BPV-3949-C
BPV-3949F-C*

- R8 SPINDLE
- 9" x 49" TABLE
- VARIABLE SPEEDS
- HIGH GRADE CAST IRON FRAME
- DOVETAIL GUIDEWAYS
- GROUND TABLE T-SLOTS
- HARDENED & GROUND WAYS
- HARDENED & GROUND TABLE
- BUILT-IN COOLANT BODY
- TILTING & ROTATING HEAD
- CHROMED GROUND QUILL
- HAND & POWER SPINDLE FEEDS
- POWER: 220V / 440V DUAL, 3Ø (220V, 1Ø)

* BPV-3949F-C equipped with EVS head driven by Japanese Yaskawa inverter with electrical cabinet

BPV-3949-C
9" X 49" TABLE



BIRMINGHAM "C" - CLASS KNEE MILLS

BPS-1054-C

- R8 SPINDLE
- 10" x 54" TABLE
- STEP PULLEY, 16 SPEEDS (8 SPEEDS FOR 1Ø)
- HIGH GRADE CAST IRON FRAME
- BOX WAYS ON Y AXIS & Z COLUMN
- HARDENED & GROUND WAYS
- HARDENED & GROUND TABLE
- GROUND WORK TABLE T-SLOTS
- BUILT-IN COOLANT BODY
- TILTING & ROTATING HEAD
- CHROMED GROUND QUILL
- HAND & POWER SPINDLE FEEDS
- POWER: 220V OR 440V, 3Ø (220V, 1Ø)

BPS-1054-C

10" X 54" TABLE



BPV-1054-C

10" X 54" TABLE



BPV-1054-C BPV-1054F-C*

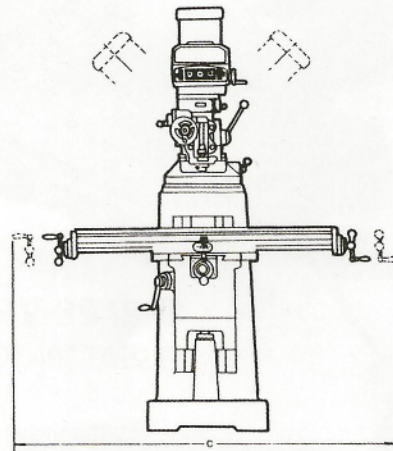
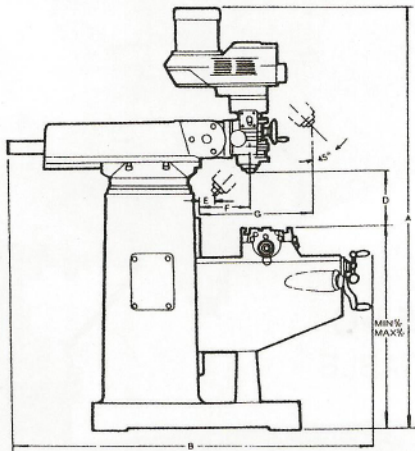
- R8 SPINDLE
- 10" x 54" TABLE
- VARIABLE SPEED
- HIGH GRADE CAST IRON FRAME
- BOX WAYS ON Y AXIS & Z COLUMN
- HARDENED & GROUND WAYS
- HARDENED & GROUND TABLE
- GROUND WORK TABLE T-SLOTS
- BUILT-IN COOLANT BODY
- TILTING & ROTATING HEAD
- CHROMED GROUND QUILL
- HAND & POWER SPINDLE FEEDS
- POWER: 220V / 440V DUAL, 3Ø (220V, 1Ø)

* BPV-1054F-C equipped with EVS head driven by Japanese Yaskawa inverter with electrical cabinet

SPECIFICATIONS FOR "BIRMINGHAM" - "C" Class Knee Mills

MODEL	BPS-1649-C	BPV-3949-C / BPV-3949F-C	BPS-1054-C	BPV-1054-C / BPV-1054F-C
TABLE SIZE	9" X 49"	9" X 49"	10" X 54"	10" X 54"
TABLE LOAD CAPACITY	600LBS	600LBS	800LBS	800LBS
TABLE T-SLOT SIZE	5/8" X 3	5/8" X 3	5/8" X 3	5/8" X 3
LONGITUDINAL TRAVEL HAND ONLY	36"	36"	36"	36"
LONGITUDINAL TRAVEL W/ POWER FEED	33"	33"	34 1/4"	34 1/4"
CROSS TRAVEL	13 1/4"	13 1/4"	18"	18"
VERTICAL TRAVEL	16"	16"	18"	18"
RAM TRAVEL	12"	12"	18"	18"
QUILL FEED SPEEDS	0.0015", 0.003", 0.006"/REV	0.0015", 0.003", 0.006"/REV	0.0015", 0.003", 0.006"/REV	0.0015", 0.003", 0.006"/REV
QUILL TRAVEL	5"	5"	5"	5"
SPINDLE TAPER	R8	R8	R8	R8
QUILL DIAMETER	3 3/8"	3 3/8"	3 3/8"	3 3/8"
HEAD SWIVEL RH/LH	90°/90°	90°/90°	90°/90°	90°/90°
HEAD TILTING F / B	45°/45°	45°/45°	45°/45°	45°/45°
RAM TURRET SWIVEL	360°	360°	360°	360°
SPINDLE MOTOR	3HP,3Ø (2HP, 1Ø 8 SPEEDS)	3HP, 3Ø, (3HP 1Ø),	3HP,3Ø (2HP, 1Ø 8 SPEEDS)	3HP, 3Ø, (3HP 1Ø)
SPINDLE SPEEDS TYPE	STEP PULLEY	VARI-SPEED / EVS	STEP PULLEY	VARI-SPEED / EVS
SPINDLE SPEEDS (RPM)	90-5600(16 SPEEDS) 90-2800(8 SPEEDS)	BPV 60-4300(VARI) BPV-F 65-5000(EVS)	90-5600(16 SPEEDS)	BPV 60-4300(VARI) BPV-F 65-5000(EVS)
NET WEIGHT	2500 LBS	2600 LBS	3500 LBS	3600 LBS
A X B X C	86" X 68" X 67"	86" X 69" X 67"	89" X 81" X 72"	89" X 81" X 72"
D MAX	18"	18"	18 3/4"	18 3/4"
MIN	2"	2"	2"	2"
E MAX	12"	12"	12"	12"
MIN	0"	0"	0"	0"
F MAX	18 3/4"	18 3/4"	20"	20"
MIN	6 3/4"	6 3/4"	6 3/4"	6 3/4"
G MAX	20 3/4"	20 3/4"	25"	25"
MIN	8 3/4"	8 3/4"	9"	9"

* ALL SPECIFICATION & MACHINE DESIGN SUBJECT TO CHANGE WITHOUT PRIOR NOTICE.



BPS-1649-C
BPS-1054-C
BPV-3949F-C

BPV-3949-C
BPV-1054-C
BPV-1054F-C

STANDARD EQUIPMENT

- (1) Tool box 1 set
- (2) Front chip guard 1 pc
- (3) Rear chip guard 1 pc
- (4) Draw bar 1 pc
- (5) One shot lube

OPTIONAL EQUIPMENT

- (1) Coolant system
- (2) Power feed for X,Y, Z
- (3) Halogen worklight
- (4) Electric control box
- (5) Cutter holder
- (6) Vise
- (7) Clamping kit set
- (8) Digital readout
- (9) Base coolant drop pan
- (10) Power air draw bar unit
- (11) NMTB # 30 spindle

DISTRIBUTOR: